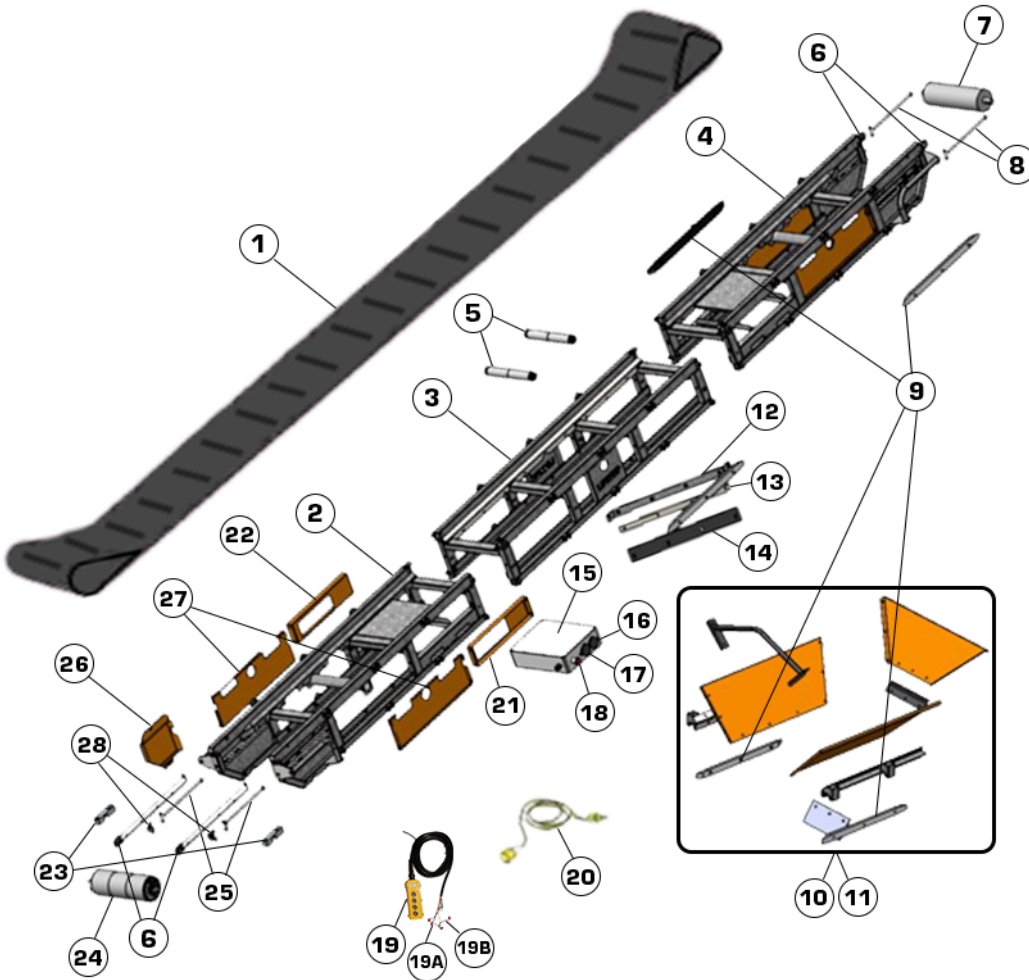




Parts List & Diagram



Part Description

Part

1	LP400 BELT 2" High Cleated 16" Wide for 12FT Conveyor c/w Joint	LP415-12FT
	LP400 BELT 2" High Cleated 16" Wide for 18FT Conveyor c/w Joint	LP415-18FT
	LP400 BELT 2" High Cleated 16" Wide for 24FT Conveyor c/w Joint	LP415-24FT
	LP400 BELT 2" High Cleated 16" Wide for 30FT Conveyor c/w Joint	LP415-30FT
2	LP400 Head Section Assembled c/w drive drum and controls	LP401
3	LP400 6FT Middle Section Assembly	LP402
4	LP400 Tail Section Assembled c/w Pulley	LP404
5	Top Roller	RO011
6	Handles	LP400-01
7	Tail Drum	RO001
8	Tail Sections Tension Stud Bolt Assembly	LP402-02-02
9	Return Wear Strip	LP400-SP-02
10	LINKUP 400 Hopper Pack - Standard	LP407
11	LINKUP 400 Extended Hopper – 6FT	LP407-L
12	Belt Cleaner Plate	LP404-02
13	Belt Cleaner Back Plate	LP404-03
14	Belt Cleaner Blade	LP404-04
15	Complete Electrical Box	EC-LP400-Control
16	Power Inlet – 20A/125V (NEMA 5-20P) Flanged Panel Mount (UL, CSA RoHS3 Certified)	20A-125v INLET-M
17	Power Outlet – 20A/125V (NEMA 5-20P) Flanged Panel Mount (UL, CSA RoHS3 Certified)	20A-125v INLET-F
18	Emergency Stop	STP001
19	LP400 Pendant Control	LP400-PNTC
19A	LP400 Pendant Control Male Connector	LP400-PNTC-01
19B	LP400 Pendant Control Female Connector	LP400-PNTC-02
20	Power/Linking Cord	LP400-PLC
21	LP400 Control Box Housing 2	LP400-03
22	LP400 Control Box Housing 1	LP400-04
23	Drive drum Bracket	LP401-02-01
24	Head Drum Drive Motor	DP-DRIVE-148-400-PS-BZP-230V
25	Head Sections Tension Stud Bolt Assembly	LP401-01-01
26	Motor Wire Cover	LP401-05
27	Center Panel	LP400-SP-20
28	Square Threaded Nut	LP400-SP-22
	LINKUP 400 Detachable Wheel Dolly	LP413
	LINKUP 400 Detachable Site Towable Wheel Frame and Hitch	LP412
	LINKUP 400 6FT Sides – Set of 2 Panels	LP407-ES
	LINKUP 400 Support Leg Assembly – Long	LP406L
	LINKUP 400 Support Leg Assembly – Short	LP406S
	Pins	FX-PIN-8MM-BZP

Order spare parts directly or through **SmartEquip**
 Distributed by: InterQuip USA LLC / 203.322.2500 / sales@interquip.net