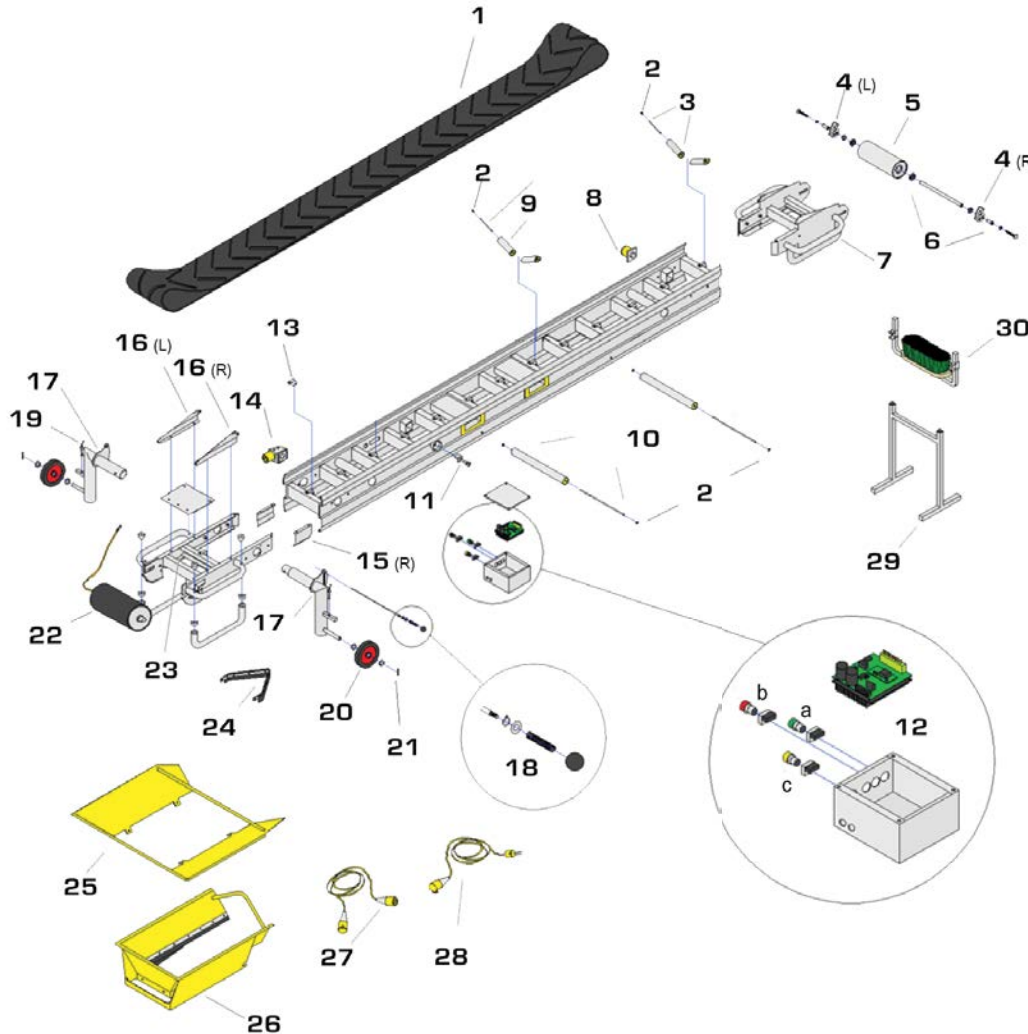


# LINKIT CONVEYORS

## Parts List & Diagram



Order spare parts directly or through **SmartEquip**.

Distributed by: InterQuip USA LLC / 203.322.2600 / sales@interquip.net.

Part Description		LKS300	LKS450
		Part #	Part #
<b>1</b>	Main Belt 10'	SHA003	SHA002
	Main Belt 14'	SHA006	SHA005
	Main Belt 18'	SHA008	SHA007
<b>2</b>	Trough Roller Bolts (x 20)	SHA079	SHA079
<b>3</b>	Steel Pitching Roller (inc. axle)	SHA050	SHA098
<b>4</b>	Cam Adjuster Bracket (R/H)	SHA064	SHA064
	Cam Adjuster Bracket (L/H)	SHA063	SHA063
<b>5</b>	Top Drum Complete (inc. bearings and axle)	SHA051	SHA014
<b>6</b>	Drum Bearing	COM009	COM009
	Drum Axle	AXE003	AXE009
<b>7</b>	Top Adjuster Bracket	SHA030	SHA055
<b>8</b>	Interlink Socket (110v)	COM057	COM057
<b>9</b>	Standard Trough Roller	SHA019	SHA012
<b>10</b>	Idler Roller (inc. axle)	SHA049	SHA084
<b>11</b>	Emergency Stop Button	STP001	STP001
	Emergency Stop Cover (metal ring)	ALU002	ALU002
	Emergency Stop Back Cover (plastic)	COM176	COM176
<b>12</b>	110v Inverter Box Complete	SHA067	SHA067
	(a) Fwd/Rev Button (inc. rubber boot)	BUT018	BUT018
	(b) Stop Button (inc. rubber boot)	BUT019	BUT019
	(c) Speed Button (inc. rubber boot)	BUT020	BUT020
<b>13</b>	Trough Center Bracket	SHA076	SHA076
<b>14</b>	110 Power Input Socket (Angled)	COM117	COM117
<b>15</b>	Underside Trough Bracket (R/H)	SHA074	SHA074
	Underside Trough Bracket (L/H)	SHA073	SHA073
<b>16</b>	Bottom Trough Bracket (L/H)	OSH005	OSH005
	Bottom Trough Bracket (R/H)	OSH004	OSH004
<b>17</b>	Wheel Frame (frame only)	SHA045	SHA058
<b>18</b>	Wheel Locking Pin Complete	SHA046	SHA083
<b>19</b>	Brake Assembly	BRA001	BRA001
<b>20</b>	Wheel	WHE001	WHE001
<b>21</b>	Roll Pin	NUT002	NUT002
<b>22</b>	0.55kw Drum Motor	SHA009	N/A
	0.75kw Drum Motor	N/A	SHA010
<b>23</b>	Motor Bracket	SHA114	SHA113
<b>24</b>	Bottom Belt Scraper	SHA032	SHA057
<b>25</b>	Bulk Hopper	SHA036	SHA037
<b>26</b>	Standard Hopper	SHA047	SHA059
<b>27</b>	Linking Cord	SHA020	SHA020
<b>28</b>	Power Cord	SHA021	SHA021
<b>29</b>	Standard Trestle	SHA053	SHA062
<b>30</b>	Brush Attachment	SHA033	SHA086
	Main Frame 10'	SHA023	SHA022
	Main Frame 14'	SHA026	SHA054
	Main Frame 18'	SHA031	SHA028
	Side Extensions 10'	SHA024	SHA024
	Side Extensions 14'	SHA027	SHA027
	Side Extensions 18'	SHA029	SHA029